

Technical data sheet

Product features



Bain marie drop-in electric GN 1/1 - 150

Model	SAP Code	00007472
--------------	-----------------	----------



- Drain type: Trough the cabinet
- Drain: Yes
- Material: AISI 304
- Protection of controls: IPX5
- Maximum device temperature [°C]: 90

SAP Code	00007472	Power electric [kW]	1.100
Net Width [mm]	400	Loading	230 V / 1N - 50 Hz
Net Depth [mm]	600	Number of GN / EN	1
Net Height [mm]	300	GN / EN size in device	GN 1/1
Net Weight [kg]	45.00	GN device depth	150

Technical data sheet

Technical drawing

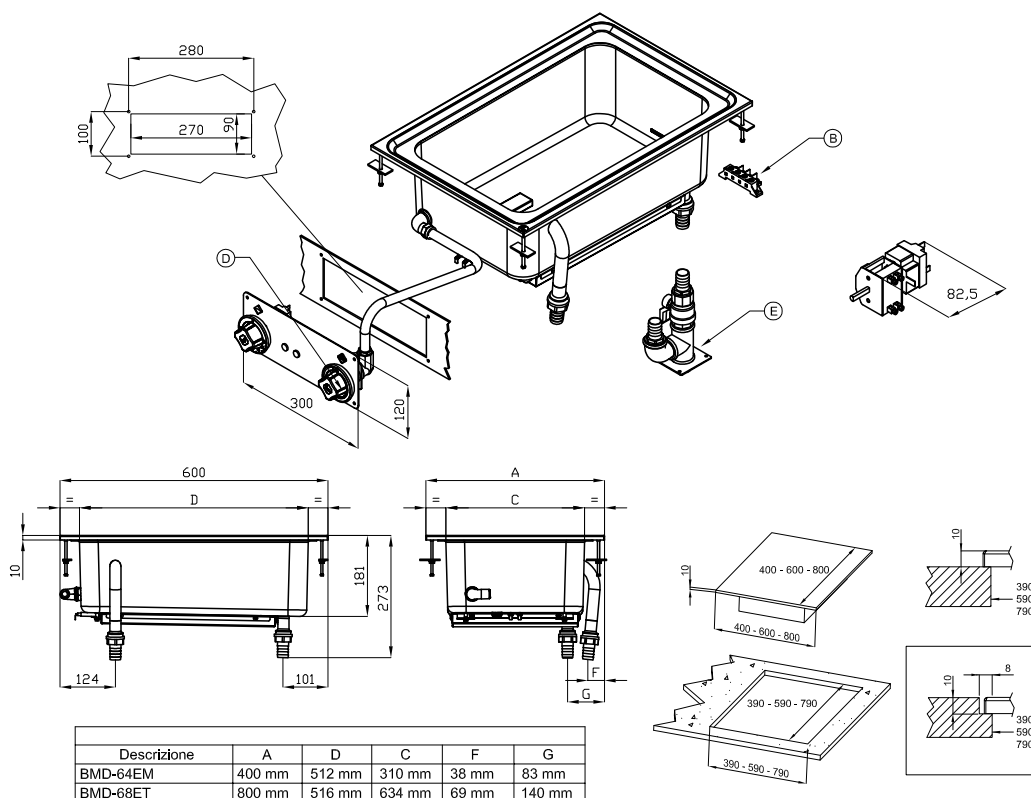


Bain marie drop-in electric GN 1/1 - 150

Model

SAP Code

00007472



Descrizione	A	D	C	F	G
BMD-64EM	400 mm	512 mm	310 mm	38 mm	83 mm
BMD-68ET	800 mm	516 mm	634 mm	69 mm	140 mm

A	Data plate		B	Electrical connection	
D	Cold water connection	ISO 7-1 1/2" F	E	Water drainage	ISO 7-1 1" M

Technical data sheet

Technical parameters



Bain marie drop-in electric GN 1/1 - 150

Model

SAP Code

00007472

1. SAP Code:

00007472

2. Net Width [mm]:

400

3. Net Depth [mm]:

600

4. Net Height [mm]:

300

5. Net Weight [kg]:

45.00

6. Gross Width [mm]:

430

7. Gross depth [mm]:

630

8. Gross Height [mm]:

470

9. Gross Weight [kg]:

55.00

10. Device type:

Electric unit

11. Construction type of device:

Drop-in

12. Power electric [kW]:

1.100

13. Loading:

230 V / 1N - 50 Hz

14. Protection of controls:

IPX5

15. Material:

AISI 304

16. Indicators:

operation and warm-up

17. Worktop type:

Molded - comfortable cleaning maintenance

18. Maximum device temperature [°C]:

90

19. Minimum device temperature [°C]:

30

20. Power control type:

knob control

21. Safety element:

safety thermostat

22. Safety thermostat:

Yes

23. Adjustable feet:

Yes

24. Additional information:

lid and gastro utensils are not included in the package

25. Number of basins:

1

26. Drain type:

Trough the cabinet

27. Drain:

Yes

28. Number of GN / EN:

1

Technical data sheet

Technical parameters



Bain marie drop-in electric GN 1/1 - 150

Model	SAP Code	00007472
--------------	-----------------	----------

29. GN / EN size in device:

GN 1/1

31. Drain connection:

Yes

30. GN device depth:

150